



STW

Type STW is a suction and discharge hose for naval tanker vessels, also suitable for gravity discharge because the helix helps to keep the diameter round. - As light bunker hose for all petroleum based products with an aromatic content up to 50%, on bunkering ships, tankers and other ships. - Ideal also as flexible duct for floating bridges to compensate for level differences.

Hose construction

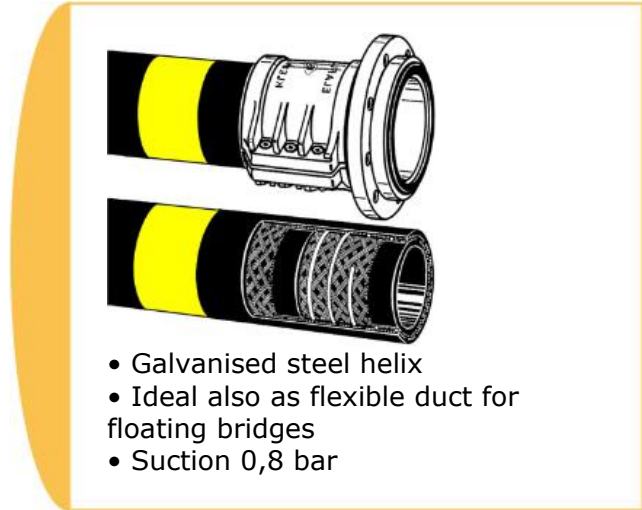
Tube: NBR black, antistatic, no fuel-solubility

Reinforcement: Two textile braids (STW 200 Nylon Cord) and galvanised steel helix

Cover: Chloroprene (CR), black, electr. conductive.

Temperature range

-20 °C ÷ +100 °C



According to

According to German military standart VG 95 955

Number / Max length	ID mm	OD mm	WP bar	BP bar	Weight kg	R мин mm
STW63/40	63	79	16	80	2,8	160
STW75/40	75	90	16	80	3,3	180
STW100/40	100	117	16	80	4,8	275
STW125/30	125	145	16	80	7,6	350
STW150/30	150	172	16	80	9,7	500
STW200/20	200	225	16	80	14,9	1000

Contact us:

"DAIS GLOBAL " LTD
 3, Poruchik Nedelcho Bonchev Str., fl. 5
 1528 Sofia, Bulgaria
 Telephone: +359 2 973 27 67
 Fax: +359 2 973 26 65
 E-mail: office@daisglobal.eu

Catalogues:

Ducting hoses
 Industrial hoses
 Fittings
 Safety couplings
 Chemical resistance table ducting hoses
 Chemical resistance table hoses