



## BUNKER SBL

For bulk loading and unloading of bunkering ships and tankers, for petroleum based products up to 50% aromatic content.

Type SBL is a light weight and very flexible collapsible hose without helix for pressure service.

Corresponds to category L 10 of EN 1765. - Suitable for manual handling, very flexible. The reinforcement is constructed in such a way that the hose keeps its whole diameter even with 1 bar flow pressure. Type SBL is not suitable for gravity discharge and for suction. - Please avoid permanent kinking.

Type SBS is the heavy standard bunkering hose with two steel helices for suction and discharge. Corresponds to EN 1765 category S 15. Recommended for crane operated dockside loading and unloading in harbours and refineries. Very robust and kink resistant.

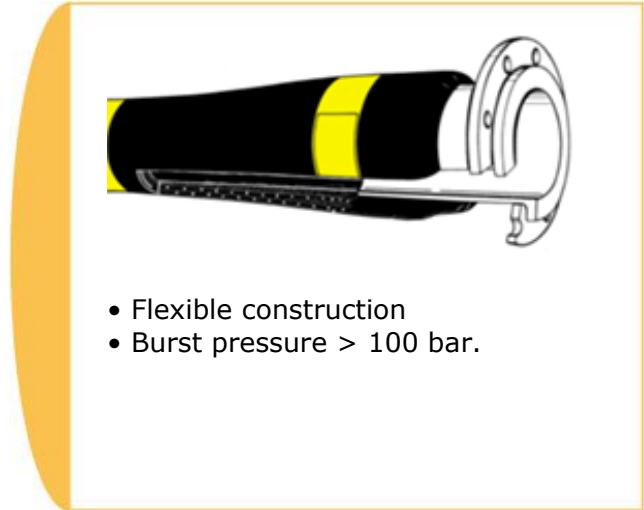
Electrically conductive due to metallic connection of steel helix with the hose tail. On request, type SBL is available in a non-electrically conductive version.

### Hose construction

**Tube:** NBR black, antistatic, no fuel-solubility

**Reinforcements:** multiple low tensile textile braids, standard type SBS with galvanized steel helices

**Cover:** Chloroprene (CR), black, smooth, el. conductive



- Flexible construction
- Burst pressure > 100 bar.

### Temperature range

-35 °C ÷ +90 °C

**Suction:** 0,4 bar

**Tolerances:** I.D. I.D. 50 - 75 mm: ± 1,20 mm;  
I.D. 100 mm: ± 1,60 mm  
L. ± 1%

**Certifications:** A test certificate for each hose can be supplied on request. Hose ends Hose tail with swivelling flange acc. to EN 1092-1 of carbon steel. Hose flanges also available according to other flange standards, i.e. PN 6, PN 25, ASA 150 Ibs., ASA 300 Ibs.

Number	ID Mm	OD mm	WP bar	BP bar	Weight kg	R min mm
<b>SBL100</b>	100	118	10	15	4,0	600
<b>SBL150</b>	150	168	10	15	5,6	900
<b>SBL200</b>	200	222	10	15	9,1	1200
<b>SBL250</b>	250	274	10	15	15,0	1500

## Contact us:

"DAIS GLOBAL " LTD  
3, Poruchik Nedelcho Bonchev Str., fl. 5  
1528 Sofia, Bulgaria  
Telephone: +359 2 973 27 67  
Fax: +359 2 973 26 65  
E-mail: office@daisglobal.eu

## Catalogues:

Ducting hoses  
Industrial hoses  
Fittings  
Safety couplings  
Chemical resistance table ducting hoses  
Chemical resistance table hoses